



iPPC-x701-WES7/iPPC-x801-WES7

10.4"/15" Panel PC with
Atom E3827/E3845 CPU and WES7

Features

- 10.4" and 15" TFT LCD with Touch Panel
- Windows Embedded Standard 7 SP1
- Intel® Atom™ E3827 1.75 GHz/E3845 1.91 GHz
- Rich software support
- Various Memory and Storage
 - ▶ 2 GB DDR3 SDRAM
 - ▶ 16 KB EEPROM and 128 KB MRAM for data retention
 - ▶ 1 x microSD socket with one microSD card
- Various Communication Interfaces
 - ▶ 1 x RJ-45, 10/100/1000BASE-T Ethernet Port
 - ▶ 2 x Serial Ports (RS-232/RS-422/RS-485)
 - ▶ 2 x USB 2.0 (host)
- 64-bit Hardware Serial Number for Software Protection
- Redundant Power Inputs



Introduction

The iPPC series is WES7 based Panel PC that combine computing, I/O, and operator interface into a single unit, and provide the perfect solution for integrating HMI, data acquisition and control in an individual iPPC.

It is equipped with an Intel Atom E3827 or E3845 CPU, TFT LCD and a variety of connectives including dual Gigabit Ethernet, USB port, RS-232 and RS-485 interface. The operating system is pre-installed in the built-in mSATA SSD, and the storage can be expanded from a Compact Flash slot. Remote I/O expansion is available to use our Ethernet I/O modules and RS-485 I/O modules. Designed for panel mount installation, the front panel is NEMA 4/IP65 rated and can withstand sprayed water, humidity and extreme dust.

Designed to operate over a wide -20°C ~ 60°C ambient temperature range, the fanless design offers the ultimate in reliability with no moving parts.

Since WES7 has the same Win32 API as Windows 7, most popular applications on desktop can run on WES7 based Panel PC.

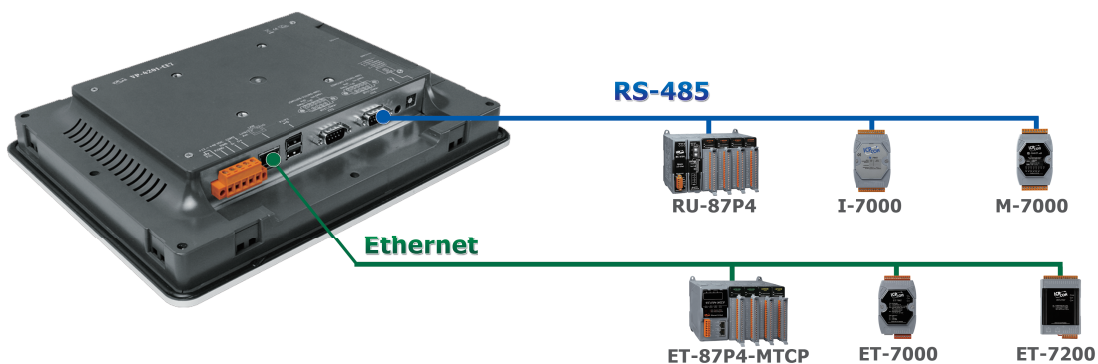
Windows Embedded Standard 7.0



WES7 has the same Win32 API as Windows 7. Most popular applications on desktop can be run on WES7. It's also compatible with rich Windows IDEs, such as Visual studio, Delphi, Borland C++ Builder, etc.

- Full Win32 API
- Remote Desktop Protocol 5.1
- Silverlight 5
- Enhanced Write Filter
- .NET Framework 3.5 SP1, 4.0, 4.5

Applications

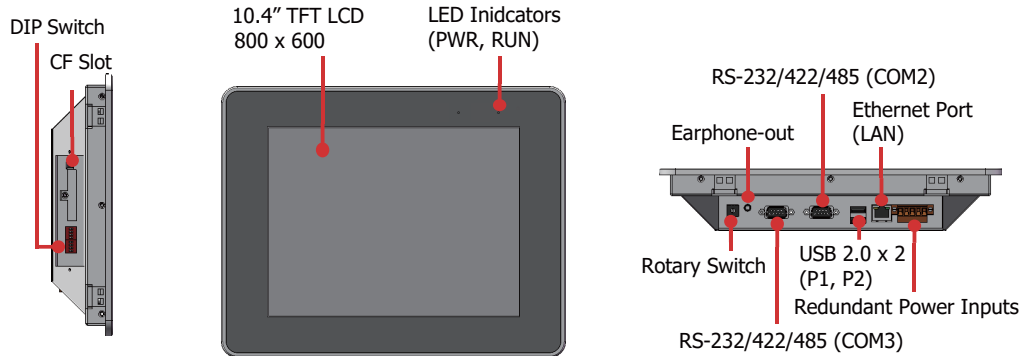


Specifications

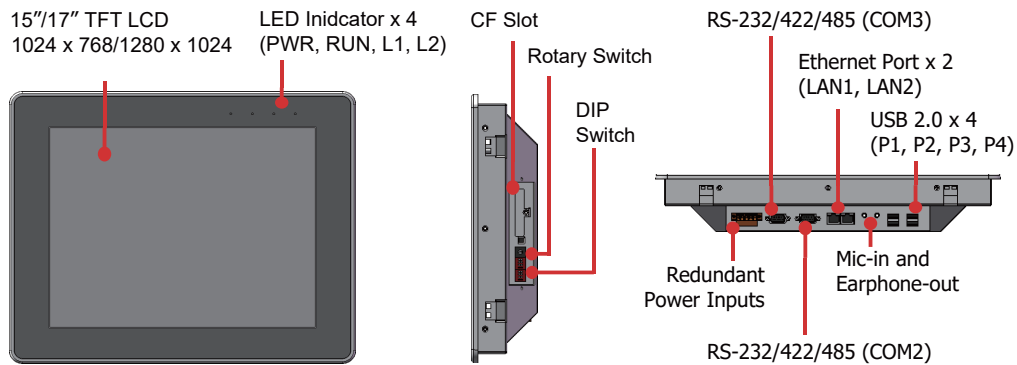
Models	iPPC-4701-WES7	iPPC-4801-WES7	iPPC-6701-WES7
Software			
OS	Windows Embedded Standard 7 SP1		
Service	IE11, FTP Server, IIS 7.0, ASP (Java Script, VB Script)		
Framework Support	.Net Framework 3.5, 4.0, 4.5		
Multilanguage Support	English, German, French, Spanish, Portuguese, Russian, Italian, Korean, Simplified Chinese, Traditional Chinese		
SDK	DII for VC, DII for Visual Studio.Net		
Main Unit			
CPU	E3827, 1.75 GHz, 64-bit dual core		
64-bit Hardware Serial Number	Yes		
System Memory	2 GB DDR3 SDRAM	4 GB DDR3 SDRAM	2 GB DDR3 SDRAM
Storage	32 GB SSD, 16 GB CF card		
Non-Volatile Memory	128 KB MRAM, 16 KB EEPROM		
Real Time Clock	Provide seconds, minutes, hours, dates, day of week, month, year		
Watchdog Timer	Dual Watchdog Timer		
Display			
Size	10.4" (4:3)		15" (4:3)
Resolution	800 x 600		1024 x 768
Brightness	400 cd/m2		
Contrast Ratio	500:1		700:1
Backlight Life	50,000 hours		
Touch Panel	5-wire, resistive type; light transmission: 80 %		
LED Indicators			
Status	1 x System, 1 x Power		1 x System, 1 x Power, 2 x Programmable
COM Ports			
Ports	2 x RS-232/RS-422/RS-485		
HMI			
Buzzer	Yes		
Rotary Switch	1 x 10 Position (0 ~ 9)		
Audio			
Cable	Earphone-out		Microphone-in and Earphone-out
Ethernet			
Ports	1 x RJ-45 10/100/1000 Base-TX		2 x RJ-45 10/100/1000 Base-TX
USB			
USB 2.0	2		
Power			
Input Range	+10 ~ 30 VDC (1500 VDC Isolated)		
Redundant Power Inputs	Yes		
Consumption	22.0 W		29.0 W
Mechanical			
Casing	Metal		
Dimensions (W x L x H)	291 x 229 x 53 mm		381 x 305 x 63 mm
Panel Cut-Out (W x H)	274 x 211, ±1 mm		364 x 288, ±1 mm
Installation	Panel Mounting, VESA Mounting (75 x 75, 100 x 100)		
Ingress Protection Rating	Front panel: NEMA 4/IP65		
Environmental			
Operating Temperature	-20 °C ~ +60 °C		
Storage Temperature	-20 °C ~ +70 °C		
Humidity	10 ~ 90 % RH, Non-condensing		

Appearance

iPPC-4701-WES7 / iPPC-4801-WES7

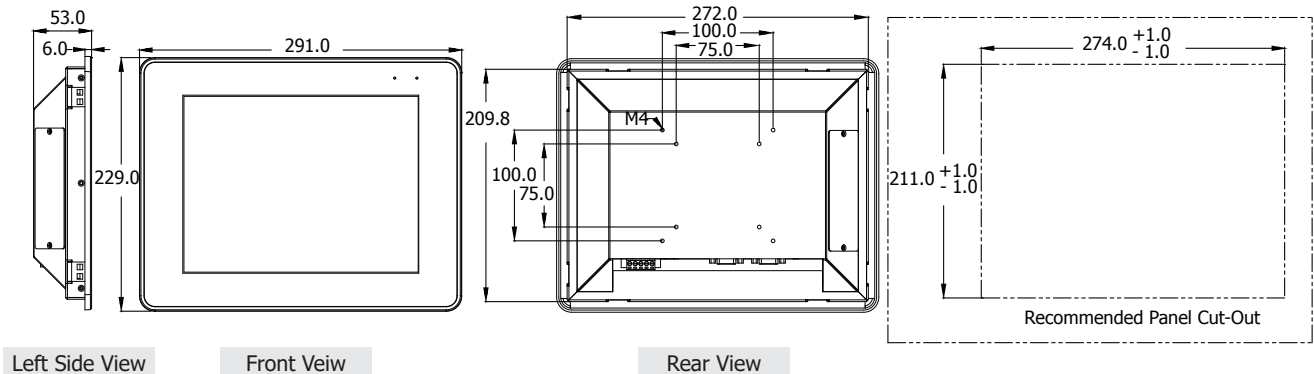


iPPC-6701-WES7



Dimensions (Units: mm)

iPPC-4701-WES7 / iPPC-4801-WES7

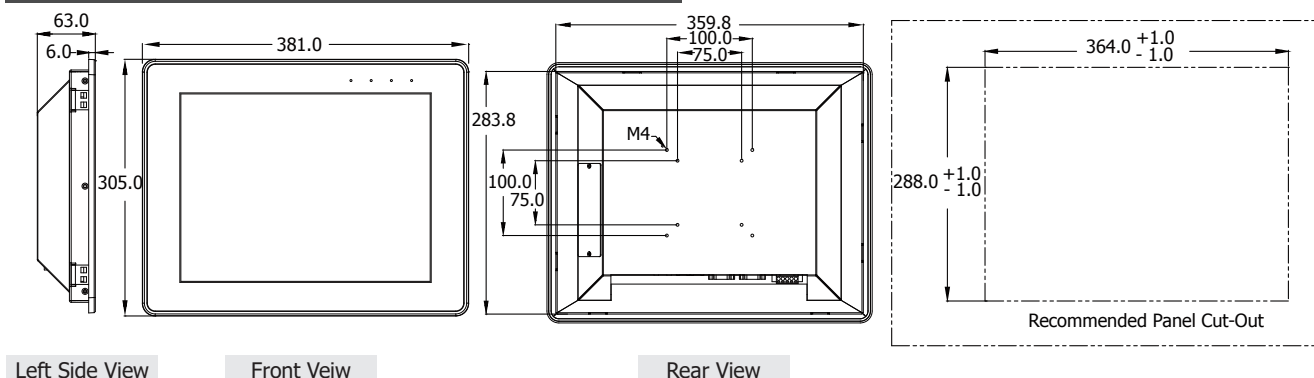


Left Side View

Front View

Rear View

iPPC-6701-WES7



Left Side View

Front View

Rear View

■ Ordering Information

iPPC-4701-WES7 CR	10.4" Panel PC with Atom E3827 CPU and WES7 (RoHS)
iPPC-6701-WES7 CR	15" Panel PC with Atom E3827 CPU and WES7 (RoHS)
iPPC-4801-WES7 CR	10.4" Panel PC with Atom E3845 CPU and WES7 (RoHS)



iPPC-6731-WES7/iPPC-6831-WES7

15" Panel PC with Atom E3827/E3845 CPU, WES7, and 3 I/O Slots

Features

- 15" LCD with Touch Panel
- Windows Embedded Standard 7 SP1
- Intel® Atom™ E3827 1.75 GHz/E3845 1.91 GHz
- Rich software support
- Various Memory and Storage
 - ▶ 2/4 GB DDR3 SDRAM
 - ▶ 16 KB EEPROM and 128 KB MRAM for data retention
- Various Communication Interfaces
 - ▶ 2 x RJ-45, 10/100/1000BASE-TX Ethernet Port
 - ▶ 3 x Serial Ports (RS-232/RS-485)
 - ▶ 3 x USB 2.0 (host)
- NEMA 4/IP65 Compliant Front Panel



Introduction

The iPPC-6731-WES7/iPPC-6831-WES7 series product is WES7 based Panel PC that combine computing, I/O, and operator interface into a single unit, and provides a perfect solution for integrating HMI, data acquisition and control in an individual PAC. It is equipped with an Intel Atom E3827/E3845 CPU, three I/O expansion slots, TFT LCD and a variety of connectives including dual Gigabit Ethernet, USB port, RS-232 and RS-485 interface. The operating system is pre-installed in the built-in mSATA SSD, and the storage can be expanded via a Compact Flash slot. The local I/O slots are available for using our I-8K or I-87K series I/O modules and remote I/O expansion is available for connecting to our Ethernet I/O modules or RS-485 I/O modules.

The iPPC-6731-WES7/iPPC-6831-WES7 is designed for panel mount installation, the front panel is NEMA 4/IP65 rated and can withstand sprayed water, humidity and extreme dust. It is also designed to operate over a wide -20°C to 60°C ambient temperature range, the fanless design offers the ultimate in reliability with no moving parts.

Since WES7 has the same Win32 API as Windows 7, most popular applications on desktop can run on WES7 based Panel PC.

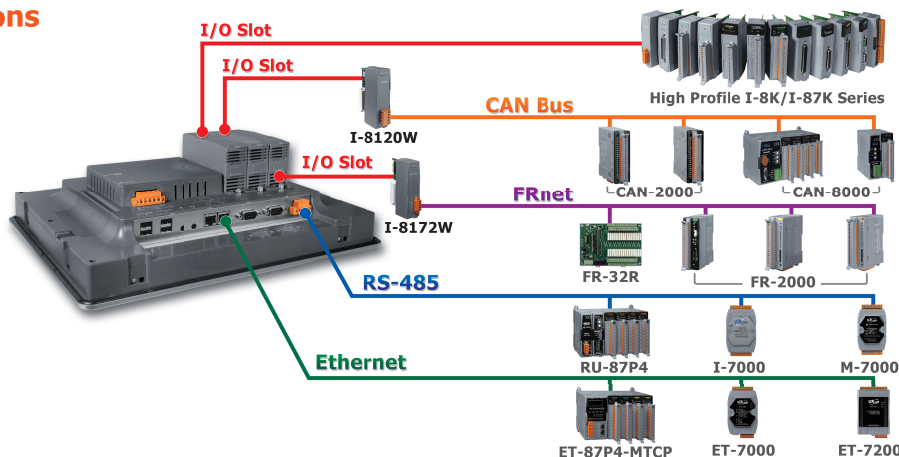
Windows Embedded Standard 7.0



WES7 has the same Win32 API as Windows 7. Most popular applications on desktop can be run on WES7. It's also compatible with rich Windows IDEs, such as Visual studio, Delphi, Borland C++ Builder, etc.

- Full Win32 API
- Remote Desktop Protocol 5.1
- Silverlight 5
- Enhanced Write Filter
- .NET Framework 3.5 SP1, 4.0, 4.5

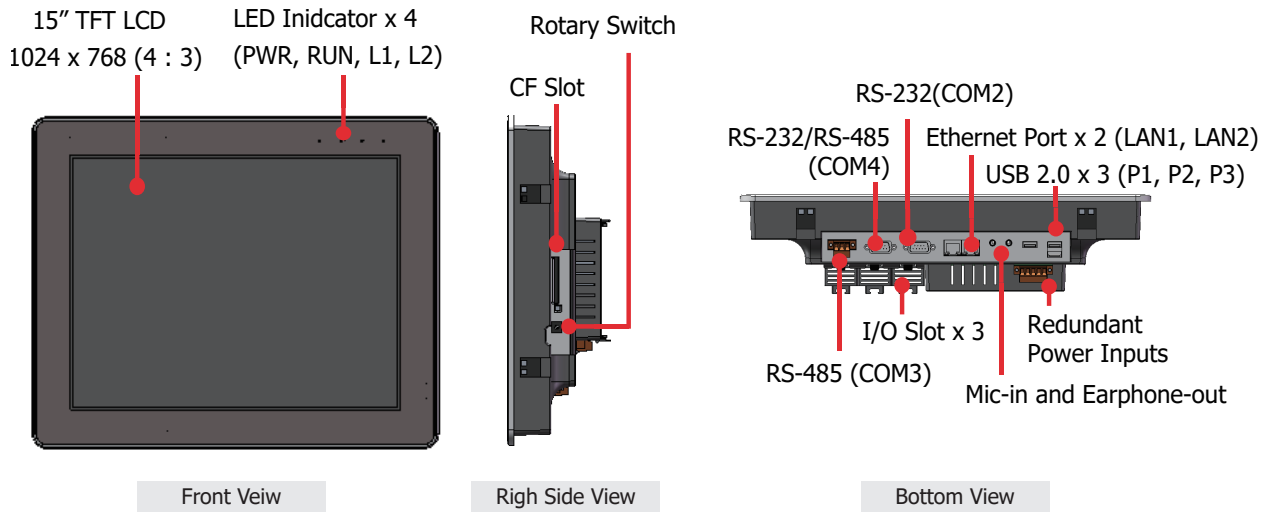
Applications



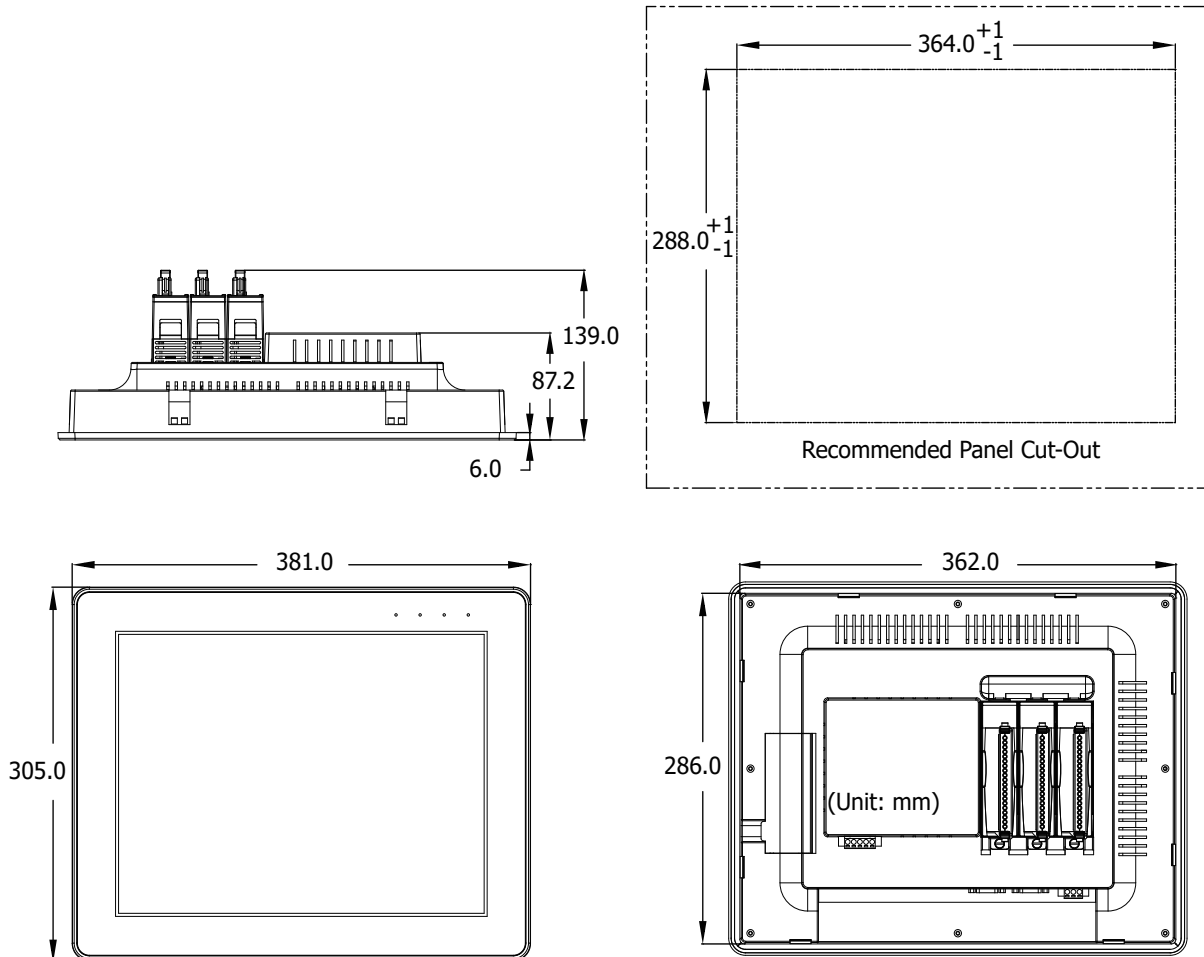
Specifications

Models	iPPC-6731-WES7	iPPC-6831-WES7
Software		
OS	Windows Embedded Standard 7 SP1	
Service	IE11, FTP Server, IIS 7.0, ASP (Java Script, VB Script)	
Framework Support	.Net Framework 3.5, 4.0, 4.5	
Multilanguage Support	English, German, French, Spanish, Portuguese, Russian, Italian, Korean, Simplified Chinese, Traditional Chinese	
SDK	DII for VC, DII for Visual Studio.Net	
Main Unit		
CPU	E3827, 1.75 GHz, 64-bit dual core	E3845, 1.91 GHz, 64-bit quad core
64-bit Hardware Serial Number	Yes	
System Memory	2 GB DDR3 SDRAM	4 GB DDR3 SDRAM
Storage	32 GB SSD, 16 GB CF card	
Non-Volatile Memory	128 KB MRAM, 16 KB EEPROM	
Real Time Clock	Provide seconds, minutes, hours, dates, day of week, month, year	
Watchdog Timer	Dual Watchdog Timer	
Display		
Size	15" (4:3)	
Resolution	1024 x 768	
Brightness	400 cd/m ²	
Contrast Ratio	700:1	
Backlight Life	50,000 hours	
Touch Panel	5-wire, resistive type; light transmission: 80 %	
LED Indicators		
Status	1 x System, 1 x Power, 2 x Programmable	
I/O Expansion		
I/O Type	I-8K, I-87K series	
Slots	3	
COM Ports		
Ports	1 x RS-232, 1 x RS-485 (2500 VDC), 1 x RS-232/RS-485 (2500 VDC)	
HMI		
Buzzer	Yes	
Rotary Switch	1 x 10 Position (0 ~ 9)	
Audio		
Cable	Microphone-in and Earphone-out	
Ethernet		
Ports	2 x RJ-45, 10/100/1000 Base-TX	
USB		
USB 2.0	3	
Power		
Input Range	+10 ~ 30 VDC (1 kV Isolated)	
Redundant Power Inputs	Yes	
Consumption	25.0 W	
Mechanical		
Casing	Plastic	
Dimensions (W x L x H)	381 x 305 x 88 (mm)	
Panel Cut-Out (W x H)	366 x 290, ±1 (mm)	
Installation	Panel Mounting	
Ingress Protection Rating	Front panel: NEMA 4/IP65	
Weight	5 kg	5.1 kg
Environmental		
Operating Temperature	-20 °C ~ +60 °C	
Storage Temperature	-20 °C ~ +70 °C	
Humidity	10 ~ 90 % RH, Non-condensing	

Appearance



Dimensions (Units: mm)



Ordering Information

iPPC-6731-WES7 CR	15" Panel PC with Atom E3827 CPU, WES7, and 3 I/O Slots (RoHS)
iPPC-6831-WES7 CR	15" Panel PC with Atom E3845 CPU, WES7, and 3 I/O Slots (RoHS)